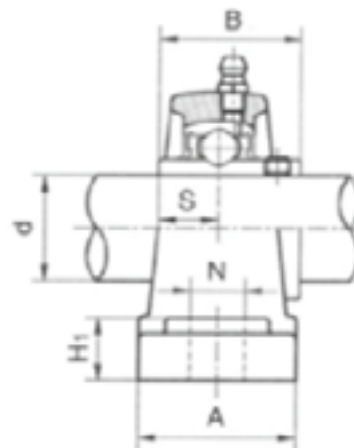
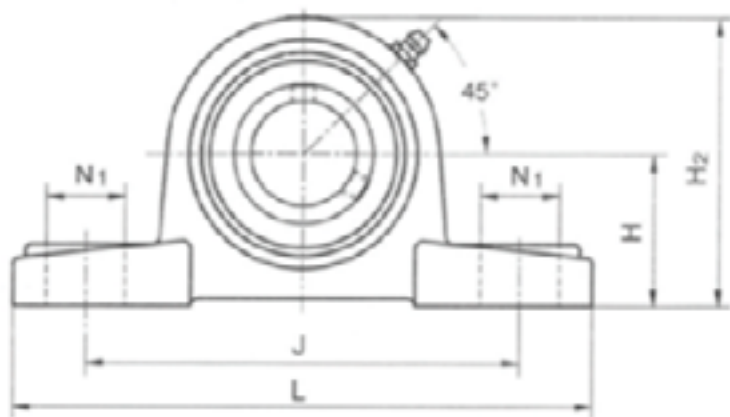


P300 Series (Heavy Duty)

2-Bolt Pillow Block Housing



Part No.	Dimensions (mm)											Bolt Size mm	Weight kg
	d	H	L	J	A	s1	s2	H1	H2	B	n		
P305	25	45	175	132	45	17	20	16	84	38	15	M14	1.6
P306	30	50	180	140	50	17	20	19	94	43	17	M14	1.9
P307	35	56	210	160	56	17	25	21	105	48	19	M14	2.7
P308	40	60	220	170	60	17	27	23	116	52	19	M14	3.3
P309	45	67	245	190	67	20	30	25	128	57	22	M16	4.5
P310	50	75	275	212	75	20	35	28	143	61	22	M16	6.2
P311	55	80	310	236	80	20	38	31	154	66	25	M16	7.7
P312	60	85	330	250	85	25	38	33	165	71	26	M20	9.3
P313	65	90	340	260	90	25	38	36	174	75	30	M20	9.8
P314	70	95	360	280	90	27	40	40	186	78	33	M22	11.4
P315	75	100	380	290	100	27	40	40	197	82	32	M22	13.6
P316	80	106	400	300	110	27	40	45	209	86	34	M22	16.4
P317	85	112	420	320	110	33	45	45	221	96	40	M27	18.6
P318	90	118	430	330	110	33	45	50	233	96	40	M27	20.9