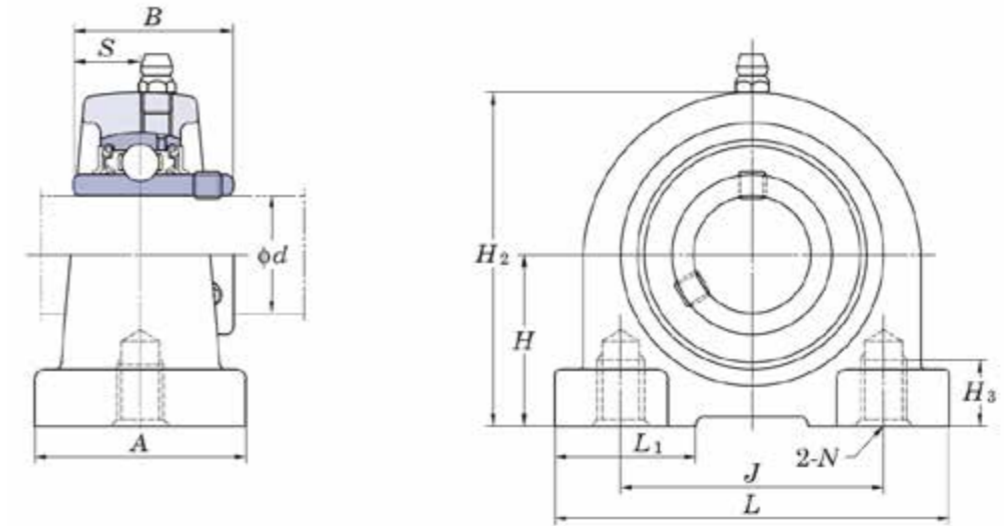
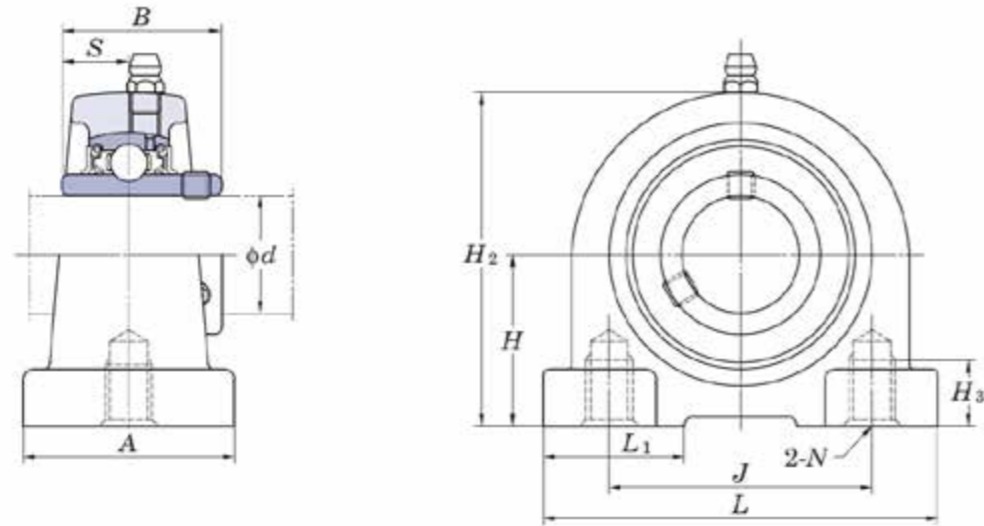


PA200 Series

PA200 Series



Housing Number	Dimensions									Dimensions											
	H		L		A		J			N		H2		H3		L1		B		S	
	mm	inch	mm	inch	mm	inch	mm	inch		mm	inch	mm	inch	mm	inch	mm	inch	mm	inch	mm	inch
PA204	30.2	1.188	76	3	40	1.563	52	2.047		M10X1.5	60	2.375	13	0.5	27	1.063	31	1.22	12.7	0.5	
PA205	36.5	1.438	84	3.313	45	1.781	56	2.203		M10X1.5	71	2.781	13	0.5	30	1.188	34.1	1.343	14.3	0.563	
PA206	42.9	1.688	94	3.688	50	1.969	66	2.594		M14X2	84	3.313	18	0.719	36	1.406	38.1	1.5	15.9	0.626	
PA207	47.6	1.875	110	4.344	55	2.156	80	3.156		M14X2	93	3.656	20	0.781	41	1.625	42.9	1.689	17.5	0.689	
PA208	49.2	1.938	116	4.563	58	2.281	84	3.313		M14X2	98	3.844	20	0.781	41	1.625	49.2	1.937	19	0.748	
PA209	54.2	2.141	120	4.719	60	2.375	90	3.547		M14X2	106	4.188	25	0.969	42	1.656	49.2	1.937	19	0.748	
PA210	57.2	2.25	130	5.125	64	2.531	94	3.703		M16X2	113	4.438	25	0.969	47	1.844	51.6	2.031	19	0.748	