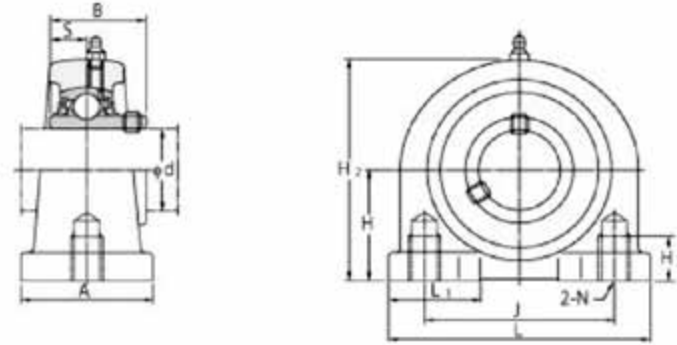


Bearing Housings

BOOK 8: NBR BEARINGS - ROD ENDS - PLAIN BEARINGS

PA200 Series

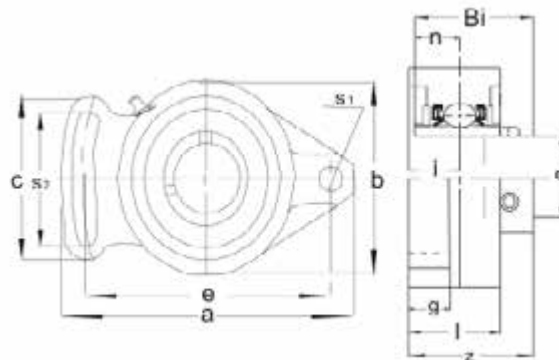
Tap Base Pillow Block Housing



Part No.	Dimensions (mm)											N.W. (kg)
	d	H	L	J	A	H2	H3	S	B	H3	N	
PA204	20	30.2	76	52	40	62	12	12.7	31	13	M10	0.43
PA205	25	36.5	84	56	38	72	12	14.3	34.1	15	M10	0.62
PA206	30	42.9	94	66	48	84	12	15.9	38.1	18	M14	0.89
PA207	35	47.6	110	80	48	95	12	17.5	42.9	20	M14	1.24
PA208	40	49.2	116	84	54	100	12	19	49.2	20	M14	1.27
PA209	45	54.2	120	90	60	108	12	19	49.2	25	M14	1.52
PA210	50	57.2	130	94	60	116	12	19	51.6	25	M16	1.82

FA200 Series

Flange Mount Housing



Part No.	Dimensions (mm)												Weight (kg)
	d	a	e	i	g	l	s1	b	z	s2	Bi	n	
FA204	20	98	78	13.8	11	24	10	59	32.1	40	31	12.7	0.47
FA205	25	124	98	16	13	27	11	70	35.7	49	34	14.3	0.68
FA206	30	141	117	17.8	13	30	11	83	40	56	38.1	15.9	1
FA207	35	155	130	18.6	14	34	13	96	44	63	42.9	17.5	1.5
FA208	40	171	114	20.8	14	38	13	105	5.1	70	49.2	19	1.9
FA209	45	179	148	21.8	14	40	15	111	52	72	49.2	19	1.7
FA210	50	189	157	22.5	14	40	15	116	55.1	75	51.6	19	2
FA211	55	216	184	25.8	20	44	16	133	59.1	86	55.6	22.2	3.6

NB. Finer Power Transmissions P/L is transitioning into NBR Bearings. Unless NBR Bearings are specifically requested, any remaining PFB/TNC stock will be supplied.

Every effort has been taken to ensure that the data listed in this catalogue is correct. Finer Power Transmissions P/L will not accept liability for any damage or loss caused as a result of the data in this catalogue.

8.1. NBR BEARINGS