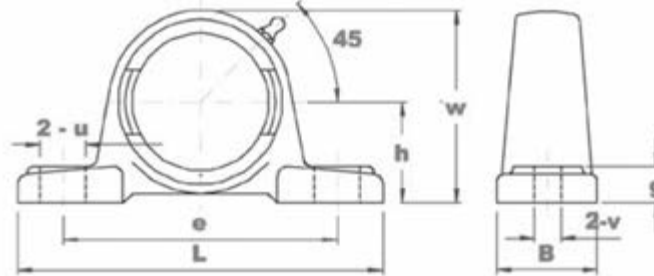


## P000 Silver Series (Extra Light Duty)

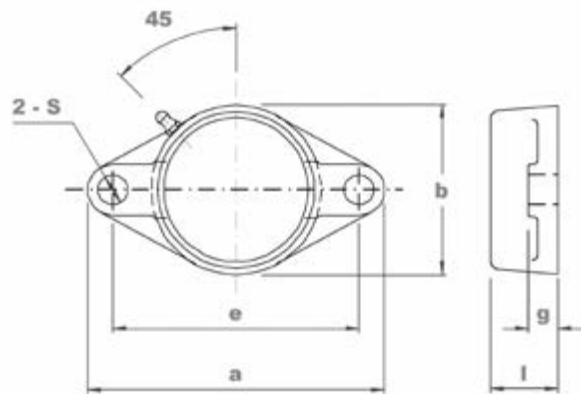
### 2-Bolt Pillow Block Housing



Part No.	Dimensions (mm)								N.W. (kg)
	d	h	L	e	B	v	u	g	
P000	10	18	67	53	16	7	7	6	0.035
P001	12	19	71	56	16	7	7	6	0.038
P002	15	22	80	63	16	7	7	7	0.043
P003	17	24	85	67	18	7	7	7	0.047
P004	20	28	100	80	20	10	10	9	0.055
P005	25	32	112	90	20	10	10	10	0.062
P006	30	36	132	106	26	13	13	11	0.070

## FL000 Silver Series (Extra Light Duty)

### 2-Bolt Oval Flanged Housing



Part No.	Dimensions (mm)								N.W. (kg)
	d	a	e	g	l	s	b	g	
FL000	10	60	45	5.5	11.5	7	36	37	0.035
FL001	12	63	48	5.5	11.5	7	38	46	0.038
FL002	15	67	53	6.5	13	7	42	54	0.043
FL003	17	71	56	7	14	7	46	60	0.047
FL004	20	90	71	8	16	10	55	103	0.055
FL005	25	95	75	8	16	10	60	113	0.062
FL006	30	112	85	9	18	13	70	176	0.070

NB. Finer Power Transmissions P/L is transitioning into NBR Bearings. Unless NBR Bearings are specifically requested, any remaining PFB/TNC stock will be supplied.