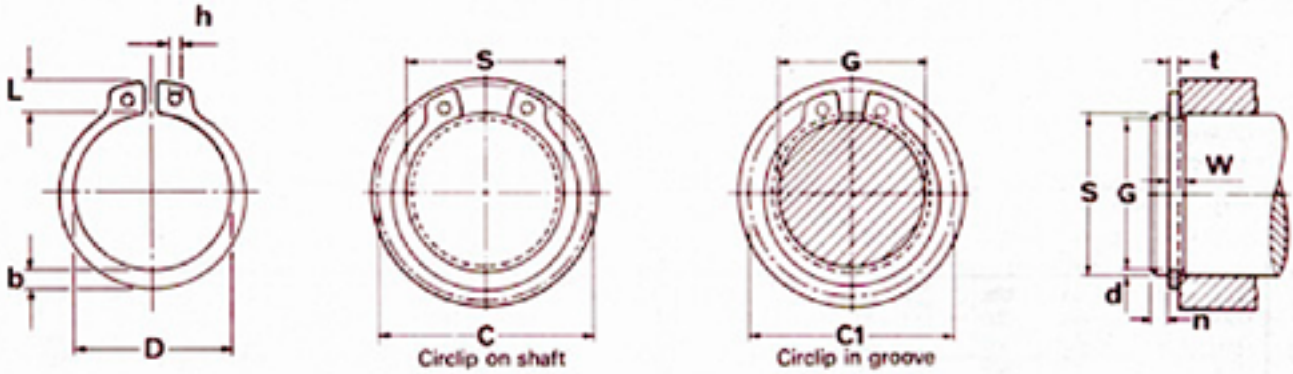


Heavy Duty Circlips - External



Circlips - Heavy Duty																			
SIZE CODE	SHAFT		GROOVE (G)					CIRCLIP (F)									Wt (kg/k)	Tc (N)	Tg (N)
	S	G	Tol.	W	Tol.	n	d	t	Tol.	D	Tol.	C	C1	L	b	h			
1460-12	12	11.5	+0.00 -0.01	1.6	+0.14 -0.00	0.7	0.25	1.5	+0.00 -0.06	11	+0.10 -0.36	19.3	8.3	3.4	1.8	1.7	0.75	17500	1130
1460-15	15	14.3		1.6		1.1	0.35	1.5		13.8		25.1	3.9	4.8	2	2	1.1	21900	2260
1460-18	18	17		1.6		1.5	0.5	1.5		16.5		28.7	27.2	5.1	2.7	2	1.56	26300	4070
1460-20	20	19	+0.00 -0.13	1.85		1.5	0.5	1.75	18.5	31.5	30	5.5	3	2	2.19	34100	4150		
1460-25	25	23.9	+0.00 -0.21	2.15		1.7	0.55	2	23.2	38.3	36.7	6.4	3.4	2	3.59	48700	6130		
1460-28	28	26.6		2.15		2.1	0.7	2	25.9	41.5	39.6	6.5	3.5	2	4.25	54500	8440		
1460-30	30	28.6		2.15		2.1	0.7	2	27.9	43.5	41.6	6.5	4.1	2	5.35	58400	9610		
1460-32	32	30.3	+0.00 -0.25	2.15		2.6	0.85	2	29.6	45.5	43.3	6.5	4.1	2.5	5.85	62300	10200		
1460-35	35	33		2.65		3	1	2.5	32.2	48.9	46.4	6.7	4.2	2.5	7.2	85200	13200		
1460-38	38	36		2.65		3	1	2.5	35.2	52.1	49.6	6.8	4.3	2.5	8.3	92500	15800		
1460-40	40	37.5	+0.00 -0.25	2.65	3.8	1.25	2.5	36.5	55	51.5	7	4.4	2.5	8.6	80900	18800			
1460-42	42	39.5		2.65	3.8	1.25	2.5	38.5	57.4	53.9	7.2	4.5	2.5	9.3	84900	19800			
1460-45	45	42.5		2.65	3.8	1.25	2.5	41.5	61	57.5	7.5	4.7	2.5	10.7	91000	21200			
1460-48	48	45.5	+0.00 -0.30	2.65	3.8	1.25	2.5	4.5	64.6	61.1	7.8	5	2.5	11.3	97100	22600			
1460-50	50	47		3.15	4.5	1.5	3	45.8	67	63	8	5.1	2.5	15.3	121000	28300			
1460-55	55	52		3.15	4.5	1.5	3	50.8	73	69	8.5	5.4	2.5	17.1	133000	31100			
1460-58	58	55	+0.00 -0.08	3.15	4.5	1.5	3	53.8	76.6	72.6	8.8	5.6	2.5	18.9	141000	32800			
1460-60	60	57		3.15	4.5	1.5	3	55.8	79	75	9	5.8	2.5	19.4	146000	33900			
1460-65	65	62		4.15	4.5	1.5	4	60.8	84.6	80.6	9.3	6.3	3	29.1	210000	36800			
1460-70	70	67	+0.00 -0.30	4.15	4.5	1.5	4	65.5	90	86	9.5	6.6	3	35.3	226000	39600			
1460-75	75	72		4.15	4.5	1.5	4	70.5	95.4	91.4	9.7	7	3	39.3	243000	424000			
1460-80	80	76.5		4.15	5.3	1.75	4	74.5	100.6	96.1	9.8	7.4	3	43.7	259000	52800			
1460-85	85	81.5	+0.00 -0.10	4.15	5.3	1.75	4	79.5	106	101.5	10	7.8	3.5	48.5	275000	56100			
1460-90	90	86.5		4.15	5.3	1.75	4	84.5	111.4	106.9	10.2	8.2	3.5	59.4	291000	59400			
1460-95	95	91.5		4.15	5.3	1.75	4	89.5	116.6	112.1	10.3	8.6	3.5	61.2	307000	62700			
1460-100	100	96.5	+0.00 -0.35	4.15	5.3	1.75	4	94.5	122	117.5	10.5	9	3.5	71.6	324000	66000			