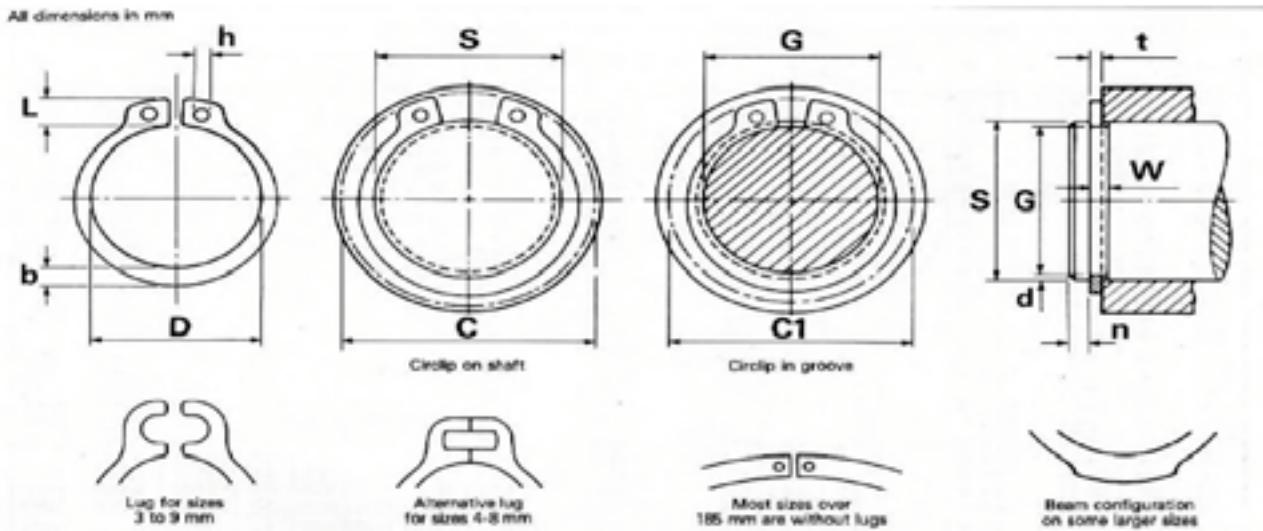
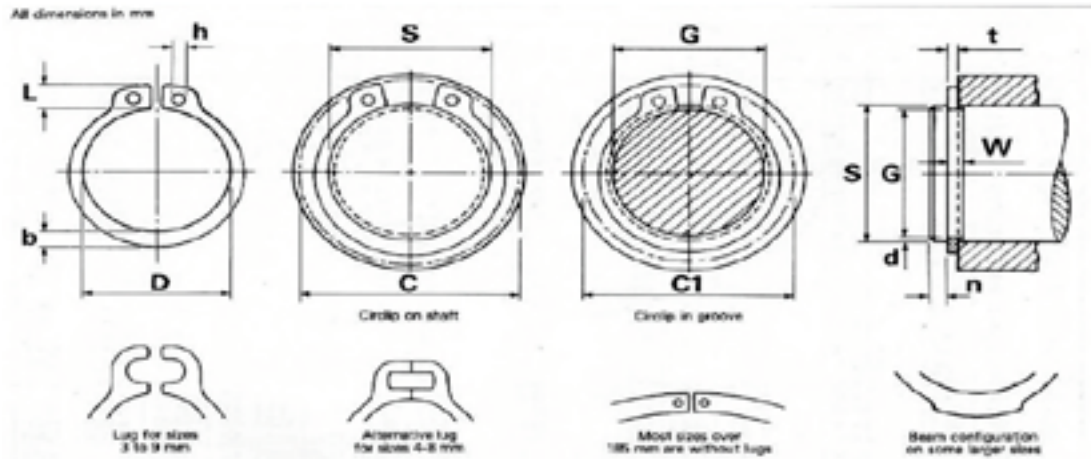


Stainless Steel Circlips - External



Stainless Steel Circlips - External																
SIZE CODE	SHAFT		GROOVE (G)						CIRCLIP (F)							
	S	G	Tol.	W	Tol.	n (min.)	d~	t	Tol.	D	Tol.	C	C1	L (max)	b~	h (min)
1400-4	4	3.8	(+) 0.00 (-) 0.048	0.5	-	0.3	0.1	0.4	(+) 0.00 (-) 0.05-	3.7	(+) 0.04 (-) 0.15	8.6	8.2	2.2	0.9	1
1400-5	5	4.8		0.7		0.3	0.1	0.6		4.7		10.3	9.8	2.5	1.1	1
1400-6	6	5.7		0.8		0.5	0.15	0.7		5.6		11.7	11.1	2.7	1.3	1.2
1400-7	7	6.7	(+) 0.00 (-) 0.06	0.9	-	0.5	0.15	0.8	(+) 0.00 (-) 0.05-	6.5	(+) 0.06 (-) 0.18	13.5	12.9	3.1	1.4	1.2
1400-8	8	7.6		0.9		0.6	0.2	0.8		7.4		14.7	14	3.2	1.5	1.2
1400-9	9	8.6		1.1		0.6	0.2	1		8.4		16	15.2	3.3	1.7	1.2
1400-10	10	9.6	(+) 0.00 (-) 0.11	1.1	-	0.6	0.2	1	(+) 0.00 (-) 0.06	9.3	(+) 0.10 (-) 0.36	17	16.2	3.3	1.8	1.5
1400-11	11	10.5		1.1		0.8	0.25	1		10.2		18	17.1	3.3	1.8	1.5
1400-12	12	11.5		1.1		0.8	0.25	1		11		19	18.1	3.3	1.8	1.7
1400-13	13	12.4	(+) 0.00 (-) 0.13	1.1	-	0.9	0.3	1	(+) 0.00 (-) 0.06	11.9	(+) 0.13 (-) 0.42	20.2	19.2	3.4	2	1.7
1400-14	14	13.4		1.1		0.9	0.3	1		12.9		21.4	20.4	3.5	2.1	1.7
1400-15	15	14.3		1.1		1.1	0.35	1		13.8		22.5	21.5	3.6	2.2	1.7
1400-16	16	15.2	(+) 0.00 (-) 0.21	1.1	-	1.2	0.4	1	(+) 0.00 (-) 0.06	14.7	(+) 0.21 (-) 0.42	23.8	22.6	3.7	2.2	1.7
1400-17	17	16.2		1.1		1.2	0.4	1		15.7		25	23.8	3.8	2.3	1.7
1400-18	18	17		1.3		1.5	0.5	1.2		16.5		26.2	24.8	3.9	2.4	2
1400-19	19	18	(+) 0.00 (-) 0.13	1.3	-	1.5	0.5	1.2	(+) 0.00 (-) 0.06	17.5	(+) 0.13 (-) 0.42	27.2	25.8	3.9	2.5	2
1400-20	20	19		1.3		1.5	0.5	1.2		18.5		28.4	27	4	2.6	2
1400-21	21	20		1.3		1.5	0.5	1.2		19.5		29.6	28.2	4.1	2.7	2
1400-22	22	21	(+) 0.00 (-) 0.21	1.3	-	1.5	0.5	1.2	(+) 0.00 (-) 0.06	20.5	(+) 0.21 (-) 0.42	30.8	29.4	4.2	2.8	2
1400-23	23	22		1.3		1.5	0.5	1.2		21.5		32	30.6	4.3	2.9	2
1400-24	24	22.9		1.3		1.7	0.55	1.2		22.2		33.2	31.7	4.4	3	2
1400-25	25	23.9	(+) 0.00 (-) 0.21	1.3	-	1.7	0.55	1.2	(+) 0.00 (-) 0.06	23.2	(+) 0.21 (-) 0.42	34.2	32.7	4.4	3	2
1400-26	26	24.9		1.3		1.7	0.55	1.2		24.2		35.5	33.9	4.5	3.1	2
1400-27	27	25.6		1.3		2.1	0.7	1.2		24.9		36.7	34.8	4.6	3.1	2
1400-28	28	26.6	(+) 0.00 (-) 0.21	1.6	-	2.1	0.7	1.5	(+) 0.00 (-) 0.06	25.9	(+) 0.21 (-) 0.42	37.9	36	4.7	3.2	2

Stainless Steel Circlips - External



Stainless Steel Circlips - External																
SIZE CODE	SHAFT		GROOVE (G)						CIRCLIP (F)							
	S	G	Tol.	W	Tol.	n (min.)	d~	t	Tol.	D	Tol.	C	C1	L (max)	b~	h (min)
1400-29	29	27.6	(+0.00 -0.21)	1.6	(+0.00 -0.25)	2.1	0.7	1.5	(+0.00 -0.06)	26.9	(+0.21 -0.42)	39.1	37.2	4.8	3.4	2
1400-30	30	28.6		1.6		2.1	0.7	1.5		27.9		40.5	38.6	5	3.5	2
1400-32	32	30.3	1.6	2.6		0.85	1.5	29.6		43	40.7	5.2	3.6	2.5		
1400-33	33	31.3	1.6	2.6		0.85	1.5	30.5		44	41.7	5.2	3.7	2.5		
1400-35	35	33	1.6	3		1	1.5	32.2		46.8	44.2	5.6	3.9	2.5		
1400-36	36	34	1.85	3		1	1.75	33.2		47.8	45.2	5.6	4	2.5		
1400-37	37	35	1.85	3		1	1.75	34.2		49	47	5.7	4.1	2.5		
1400-38	38	36	1.85	3		1	1.75	35.2		50.2	47.6	5.8	4.2	2.5		
1400-40	40	37.5	1.85	3.8		1.25	1.75	36.5		52.6	49.5	6	4.4	2.5		
1400-41	41	38.5	1.85	3.8		1.25	1.75	37.5		54	51.5	6.2	4.5	2.5		
1400-42	42	39.5	1.85	3.8	1.25	1.75	38.5	55.7	52.5	6.5	4.5	2.5				
1400-45	45	42.5	1.85	3.8	1.25	1.75	41.5	59.1	55.9	6.7	4.7	2.5				
1400-47	47	44.5	1.85	3.8	1.25	1.75	43.5	61.3	58.1	6.8	4.9	2.5				
1400-48	48	45.5	1.85	3.8	1.25	1.75	44.5	62.5	59.3	6.9	5	2.5				
1400-50	50	47	2.15	4.5	1.5	2	45.8	64.5	60.8	6.9	5.1	2.5				
1400-52	52	49	2.15	4.5	1.5	2	47.8	66.7	63	7	5.2	2.5				
1400-55	55	52	(+0.00 -0.30)	2.15	(+0.14 -0.00)	4.5	1.5	2	50.8	(+0.00 -0.07)	70.2	66.4	7.2	5.4	2.5	
1400-56	56	53		2.15		4.5	1.5	2	51.8		71.6	67.6	7.3	5.5	2.5	
1400-57	57	-		-		-	-	-	-		-	-	-	-	-	-
1400-58	58	55		2.15		4.5	1.5	2	53.8		73.6	68.6	7.3	5.5	2.5	
1400-60	60	75		2.15		4.5	1.5	2	55.8		75.6	71.8	7.4	5.8	2.5	
1400-61	61	-		2.15		-	-	-	-		-	-	-	-	-	-
1400-62	62	59		2.15		4.5	1.5	2	57.8		77.8	74	7.5	6.0	2.5	
1400-63	63	60		2.15		4.5	1.5	2	58.8		79.0	75.2	7.6	6.2	2.5	
1400-64	64	-		-		-	-	-	-		-	-	-	-	-	-
1400-65	65	62		2.65		4.5	1.5	2.5	60.8		81.4	77.6	7.8	6.3	3.0	
1400-67	67	64	2.65	4.5	1.5	2.5	62.5	83.6	79.8	7.9	6.4	3.0				
1400-68	68	65	2.65	4.5	1.5	2.5	63.5	84.4	81.0	8.0	6.5	3.0				
1400-70	70	67	2.65	4.5	1.5	2.5	65.5	87.0	83.2	8.1	6.6	3.0				
1400-72	72	69	2.65	4.5	1.5	2.5	67.5	89.2	85.4	8.2	6.8	3.0				
1400-75	75	72	2.65	4.5	1.5	2.5	70.5	92.7	88.8	8.4	7.0	3.0				
1400-80	80	76	2.65	5.3	1.75	2.5	74.5	98.1	93.7	8.6	7.4	3.0				
1400-85	85	81.5	3.15	5.3	1.75	3	79.5	103.3	98.9	8.7	7.8	3.5				
1400-90	90	86.5	(+0.00 -0.35)	3.15	(+0.18 -0.00)	5.3	1.75	3	84.5	(+0.00 -0.08)	108.5	104.0	8.8	8.2	3.5	
1400-95	95	91.5		3.15		5.3	1.75	3	89.5		114.8	111.0	9.4	8.6	3.5	
1400-100	100	96.5		3.15		5.3	1.75	3	94.5		120.2	116.0	9.6	9.0	3.5	