

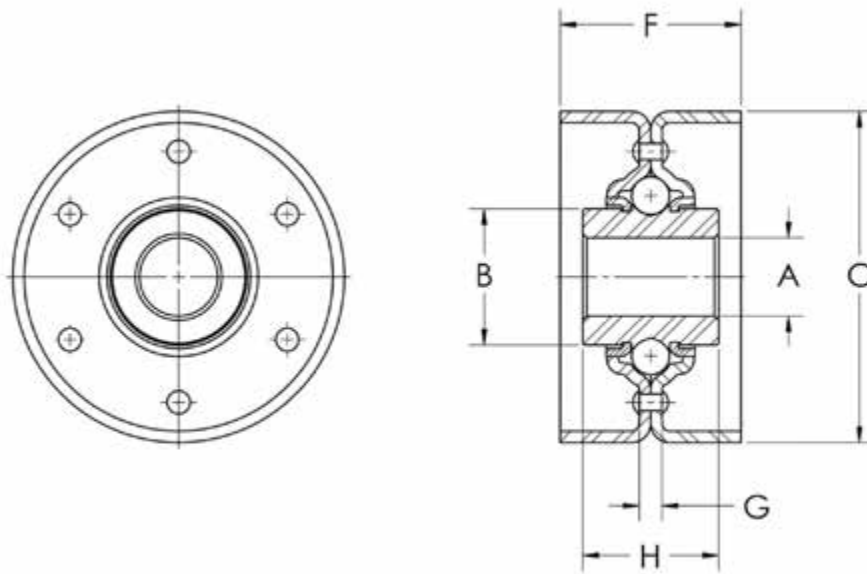
4 Point Heavy Duty Pulleys

Provide long life under demanding conditions. They are installed with standard 1/2 or 5/8 bolts. Applications include agricultural, power transmission equipment, and conveyor systems. Aetna belt idlers are generally used as tensioners or direction changers. Permanently lubricated and sealed against grime and dirt. Fit into existing designs with little or no engineering changes, or are readily adapted to new designs.

ADVANTAGES

- Over-size, factory packed lubricant chamber assures maximum life and operating efficiency without troublesome relubrication
- Case hardened to resist belt abrasion
- Available for most common belt sizes
- Bearing races are hardened to resist wear, outers and inners are accurately formed for smooth running
- Aetna's self-contouring, free-running, self-wiping seal provides positive contact under all conditions of misalignment
- Full ball complement for high durability

Flat Face Idlers



PART NO.	UNIT	A	B	C	F	G	H	WEIGHT (LBS / kg)
AG2367-A	Inch	.516/.522	1-3/16	2-3/4	1-1/2	1.90	1.125	.83
	mm	13.106/13.258	30.1625	69.85	38.1	48.26	28.575	.376

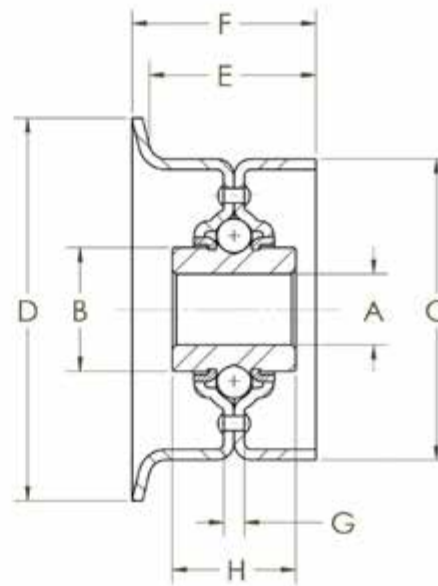
4 Point Heavy Duty Pulleys

Provide long life under demanding conditions. They are installed with standard 1/2 or 5/8 bolts. Applications include agricultural, power transmission equipment, and conveyor systems. Aetna V-belt idlers are generally used as tensioners or direction changers. Permanently lubricated and sealed against grime and dirt. Fit into existing designs with little or no engineering changes, or are readily adapted to new designs.

ADVANTAGES

- Over-size, factory packed lubricant chamber assures maximum life and operating efficiency without troublesome relubrication
- Case hardened to resist belt abrasion
- Available for most common V-belt sizes
- Bearing races are hardened to resist wear, outers and inners are accurately formed for smooth running
- Aetna's self-contouring, free-running, self-wiping seal provides positive contact under all conditions of misalignment
- Full ball complement for high durability

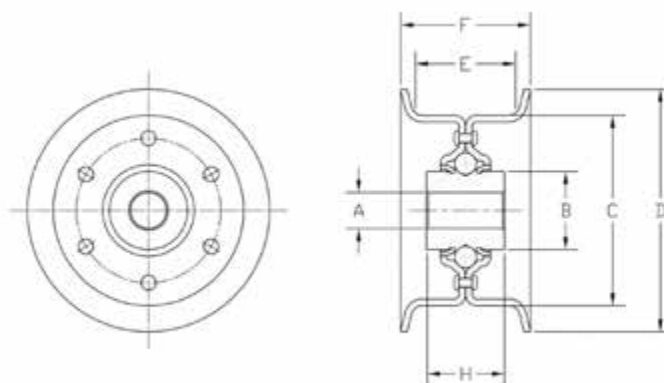
Flat Single Flange Idlers



PART NO.	UNIT	A	B	C	D	E	F	G	H	WEIGHT (LBS)
AG2365-1AM*	Inch	.516/.522	1-3/16	2-3/4	3-1/2	1-1/2	1-11/16	.190	1.125	1.03
	mm	13.106/13.258	30.162	69.85	88.9	38.1	42.862	4.826	28.575	0.467
AG2365-A	Inch	.516/.522	1-3/16	2-3/4	3-1/2	1-1/2	1-11/16	.190	1.125	1.03
	mm	13.106/13.258	30.162	69.85	88.9	38.1	42.862	4.826	28.575	0.467

**Includes Felt & Slinger Seals*

Flat Flanged Idlers



PART NO.	UNIT	A	B	C	D	E	F	G	H	WEIGHT (LBS / kg)
AG2352	Inch	.643/.649	1-3/16	2-7/8	3-1/4	11/16	27/32	.144	.750	.70
	mm	16.332/16.484	30.162	73.025	82.55	17.462	21.431	3.657	19.05	.317
AG2352-A	Inch	.516/.522	1-3/16	2-7/8	3-1/4	11/16	27/32	.144	.750	.73
	mm	13.106/13.258	46.037	73.025	82.55	17.462	24.431	3.657	19.05	.331
AG2354-AS	Inch	.516/.522	15/16	2-3/4	3-7/16	1	1-13/32	.144	1.125	.68
	mm	13.106/13.258	23.812	69.85	87.312	25.4	35.718	3.657	28.575	.308
AG2354-FK	Inch	.516/.522	15/16	2-3/4	3-7/16	1	1-13/32	.144	.927	.61
	mm	13.106/13.258	23.812	69.85	87.312	25.4	35.718	3.657	23.545	.276
AG2362-A*	Inch	.516/.522	1-3/16	2-3/4	3-1/2	1-1/2	1-7/8	.190	1.125	1.51
	mm	13.106/13.258	46.037	69.85	88.9	38.1	47.625	4.826	28.575	.684
AG2362-S*	Inch	.643/.649	1-3/16	2-3/4	3-1/2	1-1/2	1-7/8	.190	1.125	1.44
	mm	16.332/16.484	46.037	69.85	88.9	38.1	47.625	4.826	28.575	.653
AG2366-AS	Inch	.516/.522	1-1/8	2-7/8	3-1/4	11/16	27/32	.144	1.125	.75
	mm	13.106/13.258	28.575	73.025	82.55	17.462	21.431	3.657	28.575	.340
AG2413	Inch	.643/.649	7/8	4	4-29/64	1-1/8	1-3/8	.144	.927	1.25
	mm	16.332/16.484	22.225	101.6	113.109	28.575	34.925	3.657	23.545	.566
AG2413-A	Inch	.516/.522	7/8	4	4-29/64	1-1/8	1-3/8	.144	.927	1.28
	mm	13.106/13.258	22.225	101.6	113.109	28.575	34.925	3.657	23.545	.580
AG2452	Inch	.643/.649	7/8	4-1/4	4-5/8	3/4	1-1/32	.144	.927	1.21
	mm	16.332/16.484	22.225	107.95	117.475	19.05	26.193	3.657	23.545	0.548
AG2452-A	Inch	.516/.522	7/8	4-1/4	4-5/8	3/4	1-1/32	.144	.927	1.24
	mm	13.106/13.258	22.225	107.95	117.475	19.05	26.193	3.657	23.545	0.562
AG2613	Inch	.643/.649	7/8	6	7	1	1-3/8	.144	.927	2.00
	mm	16.332/16.484	22.225	152.4	177.8	25.4	34.925	3.657	23.545	0.907
AG2613-13**	Inch	.643/.649	7/8	6	7	1	1	.144	.927	2.03
	mm	16.332/16.484	22.225	152.4	177.8	25.4	25.4	3.657	23.545	.920
AG2613-A	Inch	.516/.522	7/8	6	7	1	1-3/8	.144	.927	2.03
	mm	13.106/13.258	22.225	152.4	177.8	25.4	34.925	3.657	23.545	.920
AG2814	Inch	.643/.649	7/8	8	8-3/4	1-1/8	1-19/32	.144	.927	3.38
	mm	16.332/16.484	22.225	203.2	222.25	28.575	40.481	3.657	23.545	1.553

*Extra Heavy Gauge Steel

**Zinc Plated with Oil Dip