

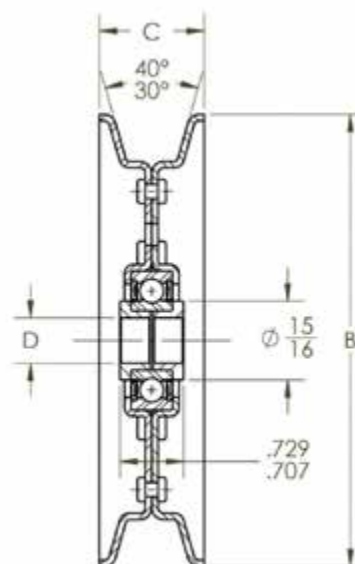
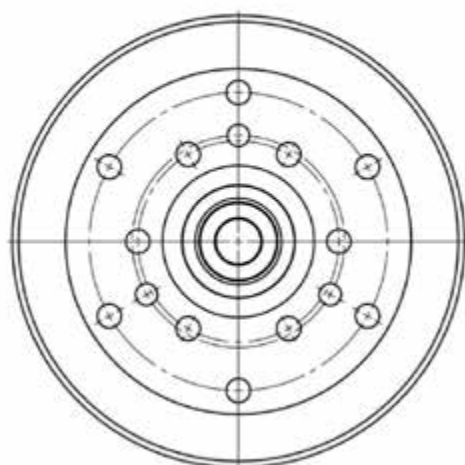
## High Speed Pulleys - Single Row Bearings

They are used in heavy duty applications where loads and speeds are greater than required for unground bearings—usually over 2000 RPM. Many are used on modern combines and hay baling equipment. Aetna V-belt idlers are available with single row bearings with a bore size to clear 1/2 and 5/8 bolts. Aetna belt idlers are generally used as tensioners or direction changers. Permanently lubricated and sealed against grime and dirt. Fit into existing design with little or no engineering changes or are readily adapted to new designs.

### ADVANTAGES

- Heavy gauge precision formed steel with double row of steel rivets with strengthening rib
- Precision bearing for high capacity, lubricated and sealed for life
- Solid steel bushing to provide proper mounting clearance “Weep” holes to prevent water build-up
- Basic radial load rating of precision bearing is 1,820 pounds

### V-Belt Idlers



PART NO.	UNIT	BELT SIZE	B	C	D
B13516-A	Inch	B	4-3/8	1	.510/.515
	mm		111.125	25.4	12.954/13.081
B13516-B	Inch	B	4-3/8	1	.635/.640
	mm		111.125	25.4	16.129/16.256
C15919-B9**	Inch	C	7-5/16	1-3/16	.635/.640
	mm		185.737	40.037	16.129/16.256

*\*\*Zinc Plated Yellow Hexavalent Chromium Finish*