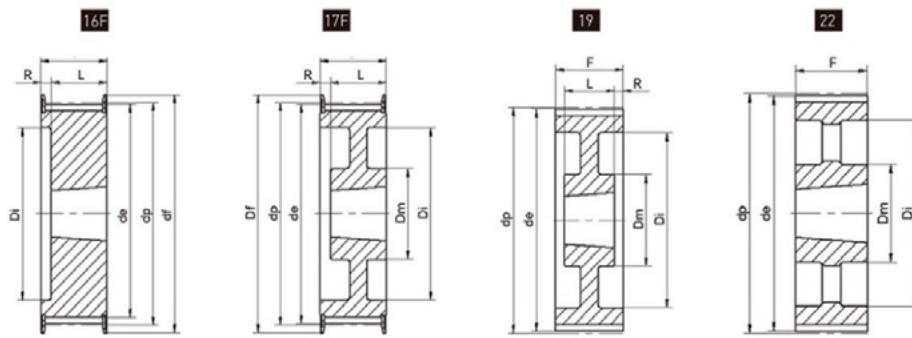


## L050 series Classical Timing Pulleys (Taper Lock)

Part No.	Type	Metal	Z	Bush	Max Bore	dp	de	Df	Dm	Di	F	L	R	Flang	Weight (kg)
18-L-050TL	10F	St	18	1108	28	54.57	53.81	60	44		19	22	3	308	0.16
19-L-050TL	10F	St	19	1108	28	57.61	56.84	63	44		19	22	3	309	0.21
20-L-050TL	10F	St	20	1108	28	60.44	59.88	66	48		19	22	3	310	0.25
21-L-050TL	10F	St	21	1108	28	63.67	62.91	71	48		19	22	3	311	0.30
22-L-050TL	10F	St	22	1108	28	66.70	65.94	75	51		19	22	3	312	0.35
23-L-050TL	10F	St	23	1108	28	69.73	68.97	79	54		19	22	3	313	0.42
24-L-050TL	10F	St	24	1108	28	72.77	72.00	79	54		19	22	3	313	0.45
25-L-050TL	10F	St	25	1108	28	75.80	75.04	83	56		19	22	3	314	0.50
26-L-050TL	10F	St	26	1108	28	78.83	78.07	87	60		19	22	3	315	0.57
27-L-050TL	10F	St	27	1108	28	81.86	81.10	87	62		19	22	3	316	0.61
28-L-050TL	10F	St	28	1108	28	84.89	84.13	91	65		19	22	3	318	0.69
30-L-050TL	10F	St	30	1108	28	90.96	90.20	97	70		19	22	3	320	0.91
32-L-050TL	10F	St	32	1108	28	97.02	96.26	103	74		19	22	3	323	0.97
36-L-050TL	10F	St	36	1108	28	109.15	108.39	115	85		19	22	3	327	1.20
40-L-050TL	10F	St	40	1610	42	121.28	120.51	127	97		19	25	6	330	1.40
44-L-050TL	11F	St	44	1610	42	133.40	132.64	140	88	110	19	25	6	334	1.57
48-L-050TL	11F	St	48	1610	42	145.53	144.77	152	88	120	19	25	6	-	2.30
60-L-050TL	13	St	60	1610	42	181.91	181.15	-	92	166	19	25	3	-	2.60
72-L-050TL	14	GG	72	1610	42	218.30	217.53	-	92	202	19	25	3	-	2.29
84-L-050TL	14	GG	84	1610	42	254.68	253.90	-	92	236	19	25	3	-	2.78
96-L-050TL	14	GG	96	2012	50	291.06	290.30	-	106	270	19	32	6.5	-	3.50
120-L-050TL	14	GG	120	2012	50	363.83	363.07	-	106	343	19	32	6.5	-	5.11



## L100 series Classical Timing Pulleys (Taper Lock)

Part No.	Type	Metal	Z	Bush	Max Bore	dp	de	Df	Dm	Di	F	L	R	Flang	Weight (kg)
18-L-100TL	16F	St	18	1108	28	54.57	53.81	60	-	38	31	22	9	308	0.20
19-L-100TL	16F	St	19	1108	28	57.61	56.84	63	-	38	31	22	9	309	0.23
20-L-100TL	16F	St	20	1108	28	60.44	59.88	66	-	45	31	22	9	310	0.35
21-L-100TL	16F	St	21	1108	28	63.67	62.91	71	-	45	31	22	9	311	0.45
22-L-100TL	16F	St	22	1108	28	66.70	65.94	75	-	48	31	22	9	312	0.48
23-L-100TL	16F	St	23	1108	28	69.73	68.97	79	-	52	32	22	10	313	0.54
24-L-100TL	16F	St	24	1108	28	72.77	72.00	79	-	52	32	22	10	313	0.62
25-L-100TL	16F	St	25	1108	28	75.80	75.04	83	-	54	32	22	10	314	0.71
26-L-100TL	16F	St	26	1108	28	78.83	78.07	87	-	60	32	22	10	315	0.75
27-L-100TL	16F	St	27	1108	28	81.86	81.10	87	-	60	32	22	10	315	0.83
28-L-100TL	16F	St	28	1108	28	84.89	84.13	91	-	65	32	22	10	316	0.91
30-L-100TL	16F	St	30	1210	32	90.96	90.20	97	-	71	32	25	7	318	1.00
32-L-100TL	16F	St	32	1210	32	97.02	96.26	103	-	75	32	25	7	320	1.16
36-L-100TL	16F	St	36	1610	42	109.15	108.39	115	-	86	32	25	7	323	1.79
40-L-100TL	16F	St	40	1610	42	121.28	117.48	123	-	96	32	25	7	327	1.89
44-L-100TL	17F	St	44	1610	42	133.40	132.64	140	90	110	32	25	7	330	2.04
48-L-100TL	17F	St	48	1610	42	145.53	144.77	152	92	120	32	25	7	334	2.45
60-L-100TL	19	St	60	1610	42	181.91	181.15	-	92	166	32	25	3.5	-	3.12
72-L-100TL	22	GG	72	2012	50	218.30	217.53	-	106	202	32	32	-	-	3.42
84-L-100TL	22	GG	84	2012	50	254.68	253.90	-	106	236	32	32	-	-	4.08
96-L-100TL	22	GG	96	2012	50	291.60	290.30	-	106	270	32	32	-	-	5.10
120-L-100TL	22	GG	120	2012	50	363.83	363.07	-	106	343	32	32	-	-	6.78