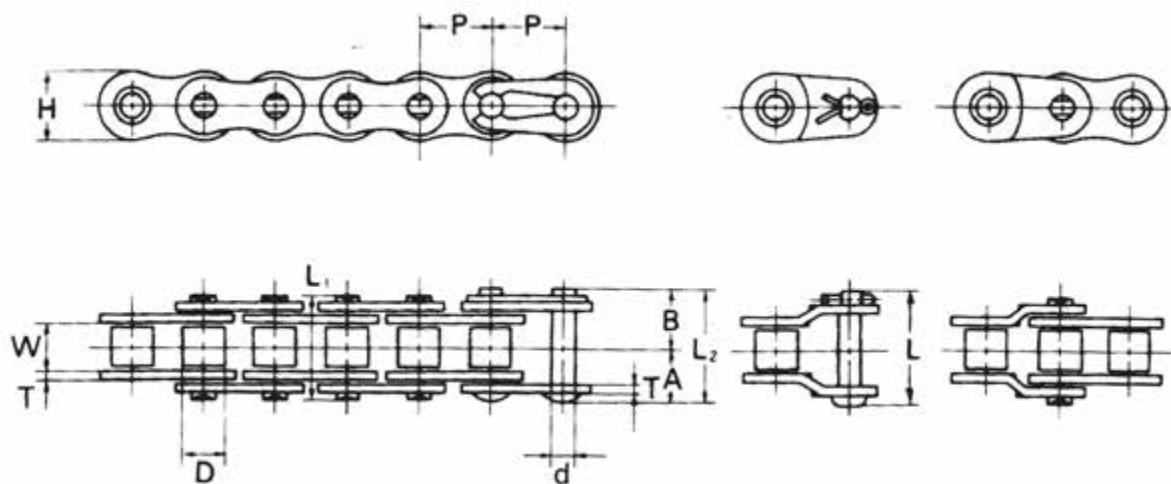


The KCM motorcycle chains are developed to improve fatigue strength and wear resistance, and manufactures under stringent quality control.

Semi-standard roller chain has a narrower width (L1 and L2), and smaller size than those of standard type.

The semi-standard size is suited for use in limited space.



KCM Chain No.	Pitch P	Width between Inner Plates W	Roller Dia. D	PIN				Link Plate		Average tensile strength kgf KN (kgf)	Maximum Allowable Load KN (kgf)	Approx weight (kg/m)
				diameter d	B	(A+A) L1	(A+B) L2	Thickness T	Heights H			
410	12.70	3.40	7.75	3.64	6.05	9.30	10.70	1.0	9.5	1 000(9.81)	-	0.28
415	12.70	4.76	7.75	3.64	6.90	11.00	12.40	1.1	9.9	9.81(1,000)	2.16(220)	0.34
415 S	12.70	4.80	7.77	3.97	7.90	12.80	14.30	1.5	11.7	1,850(18.1)	380(3,73)	0.51
420	12.70	6.35	7.77	3.97	8.70	14.40	15.90	1.5	11.7	1,850(18.1)	380(3,73)	0.55
428	12.70	7.95	8.5	4.51	9.55	16.10	17.60	1.5	11.7	1,900(18.6)	400(3,92)	0.64
520	15.875	6.35	10.16	5.09	9.95	16.95	18.40	2.00	14.6	3,050(29.9)	650(6.37)	0.89
525	15.875	7.95	10.16	5.09	10.75	18.55	20.00	2.00	14.6	3,050(29.9)	650(6.37)	0.95
530	15.875	9.53	10.16	5.09	11.60	20.3	21.75	2.00	14.6	3,050(29.9)	650(6.37)	1.01
428 H	12.70	7.95	8.5	4.51	10.55	18.1	19.60	2.00	11.7	2,300(22.6)	450(4,41)	0.77
520 H	15.875	6.35	10.16	5.09	10.75	18.55	20.00	2.4	14.6	3,700(36.3)	740(7.26)	1.03
525 H	15.875	7.95	10.16	5.09	11.55	20.15	21.60	2.4	14.6	3,700(36.3)	740(7.26)	1.07
530 H	15.875	9.53	10.16	5.09	12.45	21.95	23.40	2.4	14.6	3,700(36.3)	740(7.26)	1.15
630H	19.05	9.53	11.91	5.96	12.65	22.30	23.80	2.4	17.5	4,200(41.19)	900(8.83)	1.37

Dimensions (Millimeters)