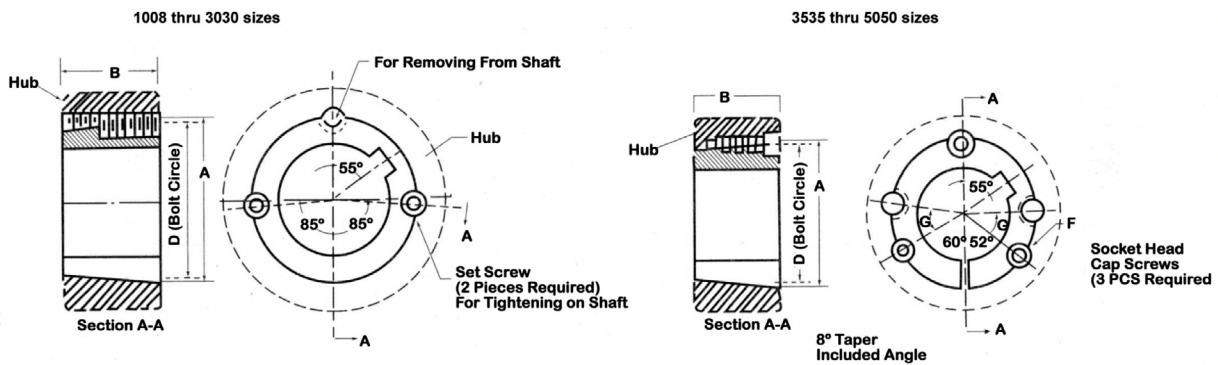


The Taper Lock Bush is a tried and proven method for fixing a driven device to a shaft. The simple design allows for easy maintenance which is a simple easy-on, easy off process.

Finer Power Transmissions stocks a range of items that are used in conjunction with Taper Lock Bushes including sprockets, pulleys and couplings.

Taper Lock Bushes come in a variety of bore sizes, in both metric and imperial.



Bush	A	B	D	G	Set Crews Dia. x Len.
1008	35.2	22.3	33.73	-	1/4 x 1/2
1108	38.38	22.3	36.92	-	1/4 x 1/2
1210	47.62	25.4	44.44	-	3/8 x 5/8
1215	47.62	38.1	44.44	-	3/8 x 5/8
1610	57.15	25.4	53.97	-	3/8 x 5/8
1615	57.15	38.1	53.97	-	3/8 x 5/8
2012	69.85	31.8	66.68	-	7/16 x 7/8
2017	69.85	44.5	66.68	-	7/16 x 7/8
2517	85.73	44.5	82.55	-	1/2 x 1
2525	85.73	63.5	82.56	-	1/2 x 1
3020	107.96	50.8	101.6	-	5/8 x 1-1/4
3030	107.96	76.2	101.6	-	5/8 x 1-1/4
3525	127	63.5	122.68	40	1/2 x 1-1/2
3535	127	89	122.68	40	1/2 x 1-1/2
4030	146.05	76.2	140.72	40	5/8 x 1-1/2
4040	146.05	101.5	140.72	40	5/8 x 1-3/4
4545	161.93	114.3	155.7	40	3/4 x 2
5050	177.8	127	170.69	37	7/8 x 2-1/4

Note: 1008 – 3030 require two screws

3535 – 5050 requires three screws

Taper Bush	Length (mm)	Major Dia (mm)	Minor Dia (mm)
1008	22.2	35	31.4
1108	22.2	38	34.89
1210	25.4	47.5	43.95
1215	38.1	47.5	42.17
1610	25.4	57	53.45
1615	38.1	57	51.67
2012	31.7	70	65.57
2017	44.4	70	-
2517	44.5	85.5	79.28
2525	63.5	85.5	76.62
3020	50.8	108	100.89
3030	76.2	108	97.34
3525	63.5	127	-
3535	88.9	127	114.57
4030	76.2	146	-
4040	101.6	146	131.8
4545	114.3	162	146
5050	127.0	177.5	159.74
6050	127.0	235	217.24

Please note that minor diameters whilst expressed to two decimal places, must not be guaranteed as accurate to two places

